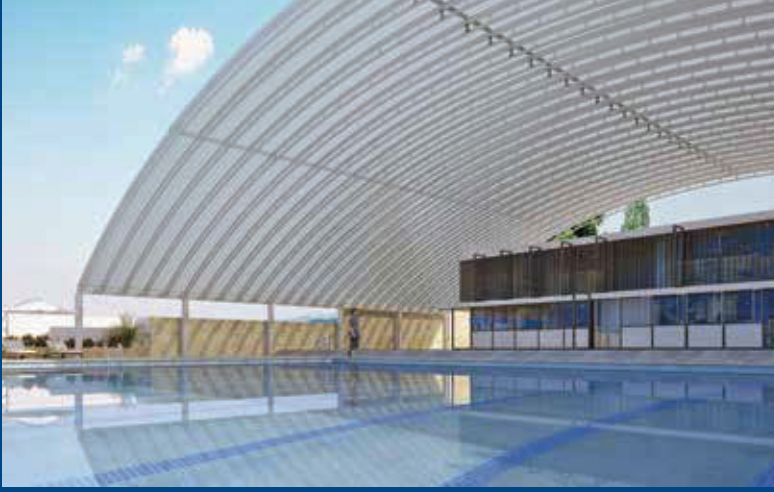




MODULAR TRUSS SOLUTION
FOR SPANS UP TO 45m

SPACETRUSSTM SYSTEM

Danpalon
Light Architecture

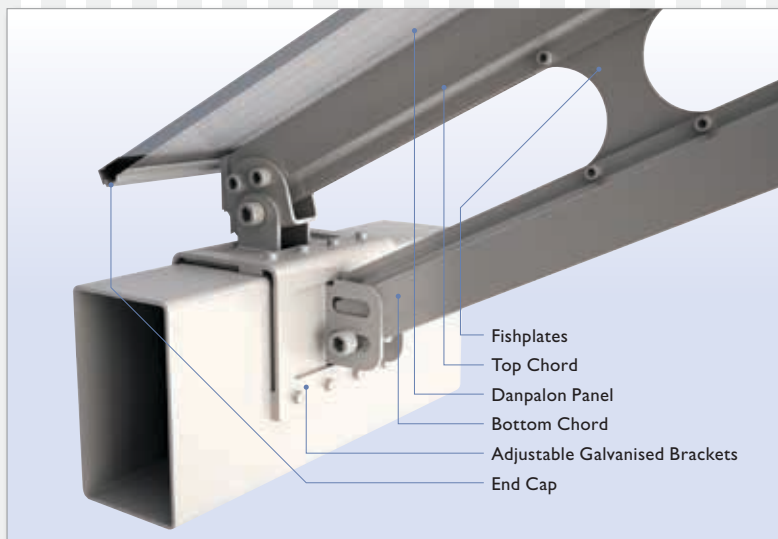


Large free-spanning canopies up to 45 metres with minimal engineering required

Nothing spans easier!

Spacetruss system was a finalist in the Sydney Engineering Excellence Awards 2014.

BEAM CONNECTION



FEATURES:

- Structural Efficiency
- Affordability
- Convenience
- Versatility
- Flexibility for Thermal and Structural Movement

The Spacetruss System simplifies the design, procurement and construction of large free-spanning canopies up to 45 metres.

It features a combination of aluminium and steel components that are economical and attractive, maximising visual cleanliness while minimising material costs.

Typically the trusses are spaced 1.04 metres apart to suit the width of Danpalon light transmitting glazing.

This glazing can be above the trusses, below them or on both sides depending on visual preference and insulation requirement.

Alternatively any other roofing material can be installed by using special concealed brackets to attach purlins onto trusses up to 3.0m metres apart.

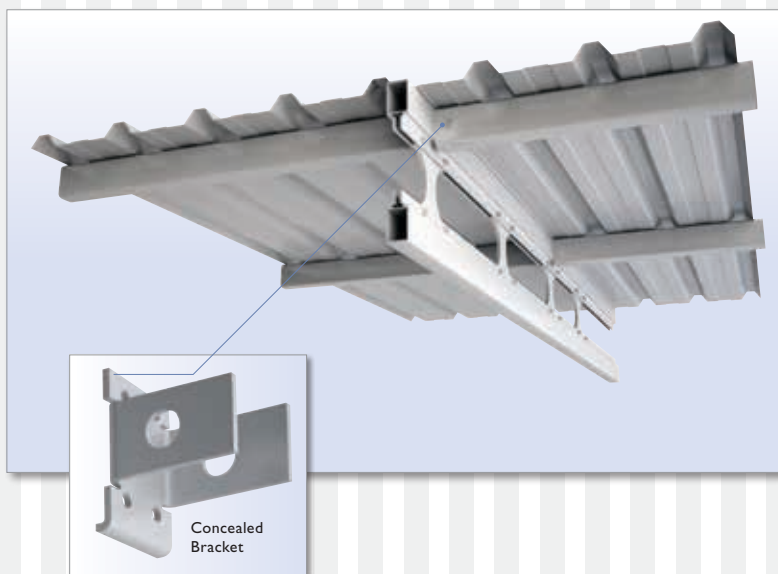
The trusses attach to the beams using special brackets that cater for free lateral thermal movement, resulting in a floating system with no stress on the materials.

The base support member is fixed to the beam while the brackets holding the trusses can slide left or right as necessary.

The sliding brackets allow for movement in the trusses as well as accommodating a wide range of different shaped structures.

By allowing the connection points to be adjustable, exact precision in locating the brackets and trusses during installation is not required.

TRUSS AND PURLIN DETAIL



 Purlins for Colorbond

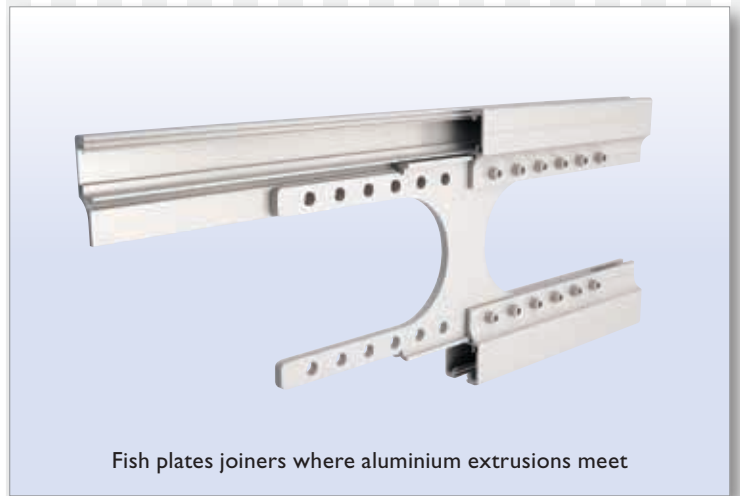
Ideal for large free-standing shade structures and sporting enclosures



CHORD CONNECTION

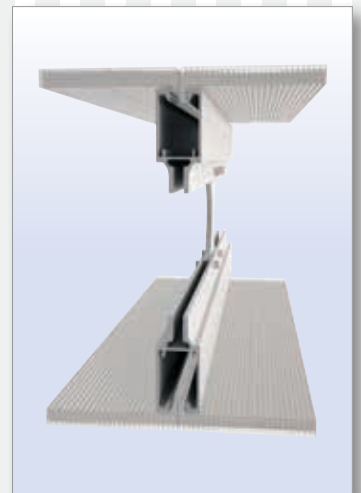
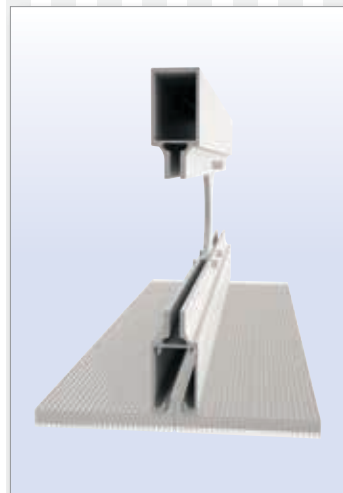


CHORD CONNECTION / JOIN



Convenient Sliding Connection System

TRUSS AND DANPALON DETAILS





Danpal Australia Pty Ltd

NSW 61-2-9475 2000
QLD 61-7-3290 5222
VIC 61-3-9459 4806
TAS 61-3-6344 7060

SA 61-8-8337 6599
WA 61-8-9279 1064
NZ 64-9-412 7470



www.danpalon.com.au

